



OV10635

HD product brief



Megapixel, Color HDR Sensors for Advanced Automotive Display and Sensing Applications

The OV10635 system-on-chip (SoC) sensor raises the standard in automotive imaging by combining megapixel resolution with color HDR. The AEC-Q100 qualified OV10635 comes with a full set of automatic controls and an image processing pipeline for display and sensing applications. Ideally suited for wide field of view and multi-camera applications, the OV10635 also incorporates special features and output formats for automotive machine vision applications. With its proprietary capability to simultaneously deliver high image quality and superior scene information, the OV10635 is designed for automotive applications that perform vision and sensing functions in tandem.

The sensor is built on a 4.2-micron OmniPixel®3-HS pixel, enabling best-in-class low-light sensitivity of 3.65V/lux-sec to capture detail-rich, high-definition color video in any environment. Using a proprietary new high dynamic range (HDR) concept and processing technology, this automotive sensor delivers excellent scene reproduction in the most demanding lighting conditions, achieving a dynamic range up to 115 dB in color and black-and-white. The OV10635 not only has the ability to accurately reproduce high-contrast scenes, but also employs auto dynamic range control to adjust to changing lighting and scene conditions to produce a clear,

detailed and low-noise color image in any automotive situation. A proprietary approach to generating HDR images also dramatically reduces or eliminates many typical HDR image sensor artifacts such as motion ghost artifacts and other unwanted effects.

The OV10635 offers all required automatic image control functions, including automatic exposure control, automatic white balance, automatic black level calibration, as well as defective pixel correction, gamma correction and lens shading correction. The sensor supports a digital video parallel port, and provides full-framed or windowed 10- or 8-bit YUV and 10- to 18-bit combined HDR RAW output format with complete user control over formatting and output data transfer.

Camera functions are programmable through the serial camera control bus (SCCB) interface. Additional features include a horizontal and vertical windowing capability, external frame sync capability, 50/60 Hz flicker cancellation and low power consumption.

The OV10635 comes in an a-CSP™ package.

Find out more at www.ovt.com.



OV10635

Ordering Information

- **OV10635-N29Y-PB** (color, lead-free)
129-pin a-CSP™, with AR coating, packed in tray with protective film
- **OV10635-N29Y-RB** (color, lead-free)
129-pin a-CSP™, with AR coating, packed in tape & reel with protective film
- **OV10135-N29Y** (b&w, lead-free)
129-pin a-CSP™, with AR coating, packed in tray with protective film

Applications

- automotive
 - 360° surround view
 - automotive machine vision
 - lane departure warning
 - traffic sign recognition
 - automatic high beam control
 - object detection
- pedestrian detection
- rear view camera
- blind spot detection
- mirror replacement
- occupant sensor
- night vision

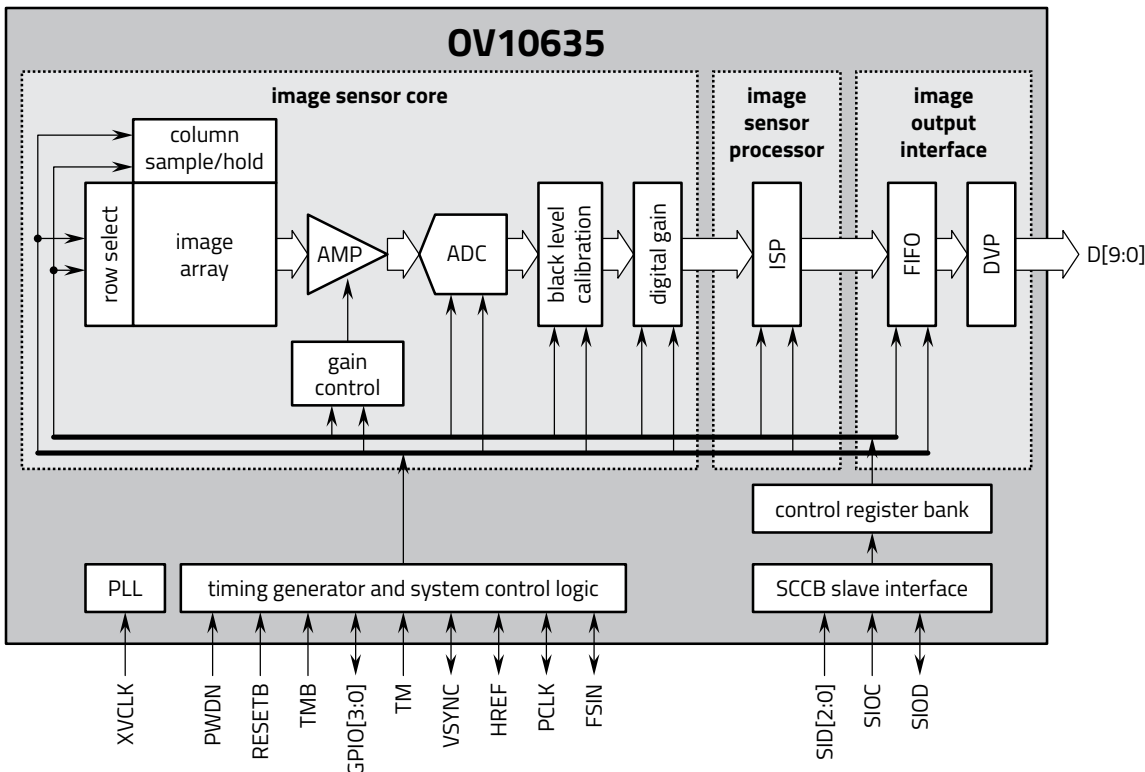
Product Features

- support for image sizes:
 - WXGA (1280 x 800)
 - HD 720p (1280 x 720)
 - WVGA (752 x 480)
 - VGA (640 x 480)
 - 600 x 400
 - CIF (352 x 288)
 - QVGA (320 x 240)
- support for output formats:
YUV and separated and combined RAW
- parallel DVP interface
- high sensitivity
- automatic exposure / gain
- horizontal and vertical windowing capability
- auto white balance control
- aperture / gamma correction
- serial camera control bus (SCCB) for register programming
- low power consumption
- external frame sync capability
- 50/60 Hz flicker cancellation
- defective pixel correction

Technical Specifications

- **active array size:** 1280 x 800
- **maximum image transfer rate:**
 - 30 fps full resolution
- **power supply:**
 - analog: 3.14V ~ 3.47V
 - core: 1.425V ~ 1.575V
 - I/O: 1.7V ~ 3.47V
- **power requirements:**
 - active: 507 mW typical @ 3.3V AVDD, 1.5V DVDD, and 1.8V DOVDD
 - standby: 440 µW typical @ 3.3V AVDD, 1.5V DVDD, and 1.8V DOVDD
- **output formats:** up to 18-bit combined RAW, separated 10-bit RAW, 8-/10-bit YUV422
- **temperature range:**
 - operating: -40°C to +105°C sensor ambient temperature (operating sensor ambient temperatures above +60°C may result in degraded image quality)
- **output interfaces:** 10-bit parallel DVP
- **lens size:** 1/2.7"
- **lens chief ray angle:** 9°
- **scan mode:** progressive
- **pixel size:** 4.2 µm x 4.2 µm
- **image area:** 5510.4 µm x 3418.8 µm

Functional Block Diagram



Version 1.3, June 2024

4275 Burton Drive
Santa Clara, CA 95054
USA

Tel: + 1 408 567 3000
Fax: + 1 408 567 3001
www.ovt.com

OMNIVISION reserves the right to make changes to their products or to discontinue any product or service without further notice. OMNIVISION, the OMNIVISION logo, and OmniPixel are registered trademarks of OmniVision Technologies, Inc. a-CSP is a trademark of OmniVision Technologies, Inc. All other trademarks are the property of their respective owners.

 **OMNIVISION®**