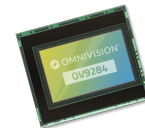


Alert Level: High  
Risk Level: Low

# OV9284



## 1-megapixel product brief

### Cost-Effective 1MP, High-Speed Global Shutter Image Sensor for Driver and Passenger Monitoring in Mainstream Vehicles

OMNIVISION's OV9284 is a 1-megapixel global shutter image sensor that is ideal for in-cabin camera modules in passenger vehicles, where driver state monitoring (DSM) and passenger-monitoring cameras need to be extremely small and unobtrusive, while complying with new, stringent safety regulations. Semiautonomous vehicles use DSM to track the driver's eye gaze and allow the vehicle to take control when the driver becomes drowsy or distracted. The OV9284 is the industry's first image sensor with the right balance of cost effectiveness, small form factor, high-quality imaging, and advanced features to meet the needs for incorporating DSM in the mainstream automotive market.

The OV9284 also offers near-infrared (NIR) quantum efficiency (QE) in a driver-monitoring image sensor, with 12% at 940 nm, which allows designers to achieve sufficient

illumination with fewer LEDs, thus reducing total system cost and power consumption. This sensor consumes only 90 mW of power at 60 frames per second (fps), which is 30% lower than the nearest competitor. Additionally, the high-speed global shutter sensor with OmniPixel®3-GS technology offers 1280 x 800 resolution at video speeds of up to 120 fps.

This sensor comes in a compact automotive chip-scale package (a-CSP™), which measures 5.2 mm x 4.5 mm for smaller lens designs. Its 27-degree chief ray angle enables a wider viewing angle in a thinner package, allowing for greater flexibility with camera design and placement.

Find out more at [www.ovt.com](http://www.ovt.com).



# OV9284

## Ordering Information

- OV9284-E64Y-1B (b&w, lead-free) 64-pin a-CSP™, rev 1B, packed in tray without protective film
- OV9284-E64Y-PB (b&w, lead-free) 64-pin a-CSP™, rev 1B, packed in tray with protective film (bottom right tab)
- OV9284-E64Y-RB (b&w, lead-free) 64-pin a-CSP™, rev 1B, packed in tape & reel with protective film (bottom right tab)

## Applications

- driver monitoring systems
- industrial bar code scanning

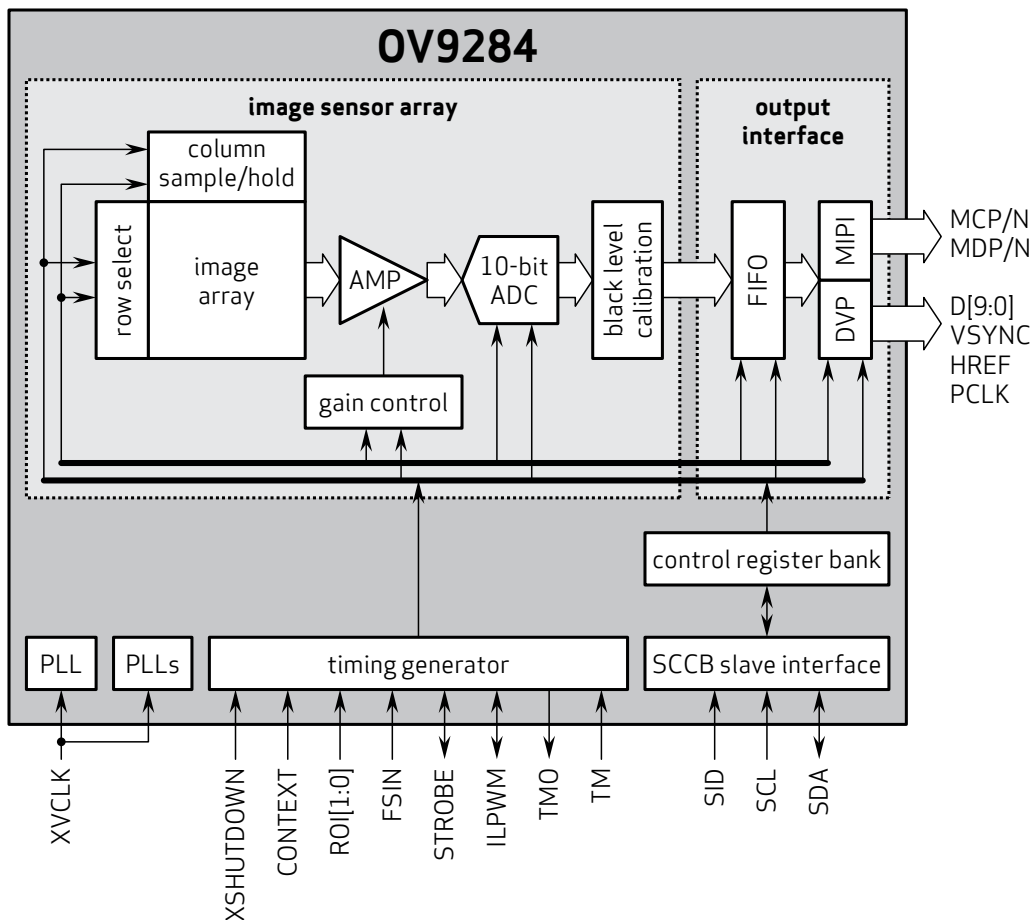
## Technical Specifications

- active array size:** 1296 x 816
- temperature range:**
  - operating: -40°C to +105°C sensor ambient temperature and -40°C to +125°C junction temperature
- maximum image transfer rate:** 1280 x 800: 120 fps
- power supply:**
  - analog: 2.8V (nominal)
  - core: 1.2V (nominal)
  - I/O: 1.8V (nominal)
- power requirements:**
  - active: 156 mW
  - standby: 150 µA
  - XSHUTDOWN: 150 µA
- output interfaces:** 2-lane MIPI serial output and DVP parallel output
- lens size:** 1/4"
- lens chief ray angle:** 26.78° non-linear
- output formats:** 8/10-bit RAW
- scan mode:** progressive
- pixel size:** 3 µm x 3 µm
- image area:** 3896 µm x 2453 µm

## Product Features

- 3 µm x 3 µm pixel with OmniPixel®3-GS technology
- automatic black level calibration (ABLC)
- programmable controls for:
  - frame rate
  - mirror and flip
  - cropping
  - windowing
- support output formats: 8/10-bit RAW
- fast mode switching
- supports 2x2 monochrome binning
- two-lane MIPI serial output interface
- DVP parallel output interface
- supports horizontal and vertical 2:1 and 4:1 monochrome subsampling
- support for image sizes:
  - 1280 x 800
  - 1280 x 720
  - 640 x 480
  - 640 x 400
- embedded 256 bits of one-time programmable (OTP) memory for part identification
- two on-chip phase lock loops (PLLs)
- LED PWM
- built-in strobe control

## Functional Block Diagram



Version 1.3, June 2024

4275 Burton Drive  
Santa Clara, CA 95054  
USA

Tel: + 1 408 567 3000  
Fax: + 1 408 567 3001  
www.ovt.com

OMNIVISION reserves the right to make changes to their products or to discontinue any product or service without further notice. OMNIVISION, the OMNIVISION logo, and OmniPixel are registered trademarks of OmniVision Technologies, Inc. a-CSP is a trademark of OmniVision Technologies, Inc. All other trademarks are the property of their respective owners.

 **OMNIVISION®**